

RICHIEDENTE

APPLICANT / CLIENT / ANTRAGSTELLER

.....



TIMBRO / CUSTOMER'S SEAL / TAMPON / STEMPEL

MODELLO

MODEL / MODELE / MODELL **ITALO : IT-260**

ALTEZZA

HEIGHT / HAUTEUR / HÖHE mm.



REVERSIBILE

REVERSIBLE / RÉVERSIBLE / UMKEHRBAR

SP. VETRO

HEIGHT / HAUTEUR / GLASSTÄRKE **8 mm**

LASTRA

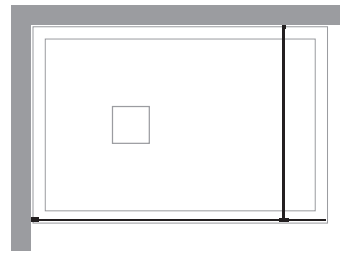
GLASS / VERRE / GLAS

COLORE

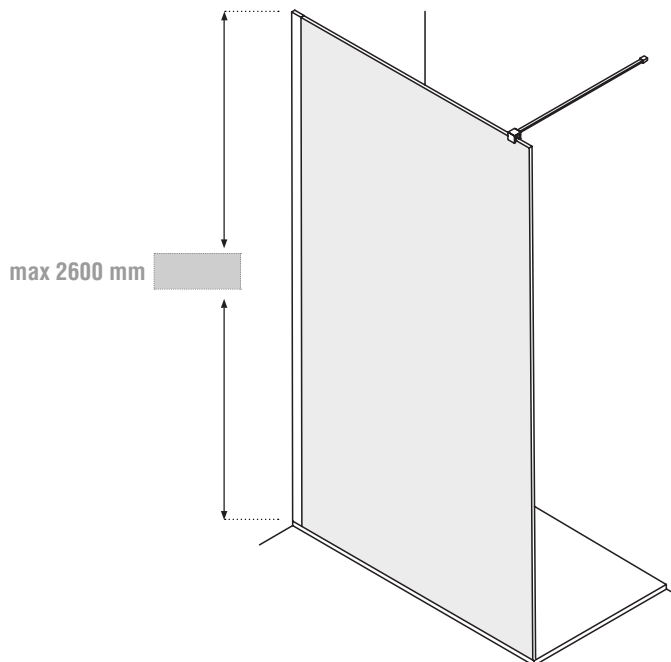
COLOUR / COULEUR / FARBE

NOTE / NOTES / NOTES / NOTIZEN

.....



min 300 / max 1600 mm.



max 2600 mm